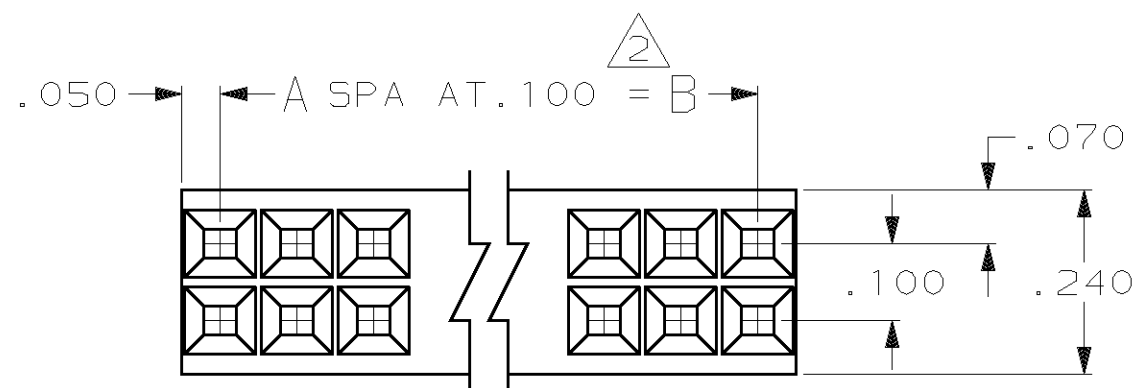
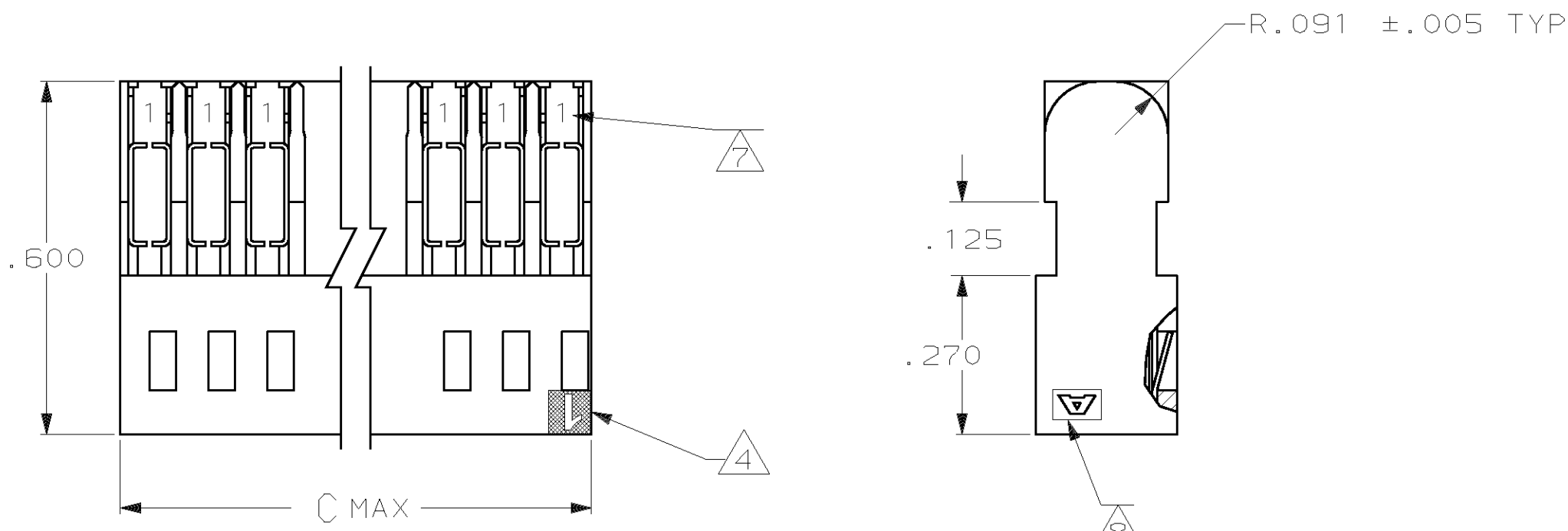


THIS DRAWING IS UNPUBLISHED. RELEASED FOR PUBLICATION, 19
 © COPYRIGHT 19 BY AMP INCORPORATED, HARRISBURG, PA. ALL INTERNATIONAL RIGHTS RESERVED. AMP PRODUCTS MAY BE COVERED BY U.S. AND FOREIGN PATENTS AND/OR PATENTS PENDING.

REVISIONS						
P	F	ZONE	LTR	DESCRIPTION	DATE	APPROVED
			S	REV PER 063C-0478-04	200CT04	JR/DR



- 1 .000030 GOLD IN THE CONTACT AREA, .000050-.000100 TIN-LEAD IN THE TERMINATION AREA, ALL OVER .000050 NICKEL.
- 2 TOLERANCE NON-CUMULATIVE.
- 3 .000030 GOLD IN THE CONTACT AREA, .000050-.000100 TIN IN THE TERMINATION AREA, ALL OVER .000050 NICKEL.
- 4 MOLDED CIRCUIT #1 IDENTIFIER IN LOCATION SHOWN.
- 5 OBSOLETE PART NUMBER
- 6. USE WITH 26-30 AWG WIRE SIZE, .050 MAX INSULATION DIA., .015 MAX INSULATION WALL THICKNESS.
- 7 CONTACT IDENTIFICATION NUMBER "1" LOCATED IN THIS AREA.
- 8 AMP TRADEMARK (EITHER SIDE).

3.200	3.100	31	64	3	8-102393-0
3.000	2.900	29	60	3	7-102393-8
2.700	2.600	26	54	3	7-102393-5
2.500	2.400	24	50	3	7-102393-3
2.000	1.900	19	40	3	6-102393-8
1.700	1.600	16	34	3	6-102393-5
1.600	1.500	15	32	3	6- -4
1.500	1.400	14	30	3	6- -3
1.400	1.300	13	28	3	6- -2
1.300	1.200	12	26	3	6- 1
1.200	1.100	11	24	3	6- -0
1.100	1.000	10	22	3	5- -9
1.000	.900	9	20	3	5- -8
.900	.800	8	18	3	5- -7
.800	.700	7	16	3	5- -6
.700	.600	6	14	3	5- -5
.600	.500	5	12	3	5- -4
.500	.400	4	10	3	5- -3
.400	.300	3	8	3	5- -2
.300	.200	2	6	3	5-102393-1

3.600	3.500	35	72	5	3-102393-4
3.500	3.400	34	70	3	5- -3
3.400	3.300	33	68	3	5- -2
3.300	3.200	32	66	3	5- -1
3.200	3.100	31	64	3	1- -0
3.100	3.000	30	62	2	5- -9
3.000	2.900	29	60	2	1- -8
2.900	2.800	28	58	2	5- -7
2.800	2.700	27	56	2	5- -6
2.700	2.600	26	54	2	1- -5
2.600	2.500	25	52	2	5- -4
2.500	2.400	24	50	2	1- -3
2.400	2.300	23	48	2	5- -2
2.300	2.200	22	46	2	5- -1
2.200	2.100	21	44	2	5- -0
2.100	2.000	20	42	1	5- -9
2.000	1.900	19	40	1	1- -8
1.900	1.800	18	38	1	5- -7
1.800	1.700	17	36	1	5- -6
1.700	1.600	16	34	1	1- -5
1.600	1.500	15	32	1	1- -4
1.500	1.400	14	30	1	1- -3
1.400	1.300	13	28	1	1- -2
1.300	1.200	12	26	1	1- -1
1.200	1.100	11	24	1	1- -0
1.100	1.000	10	22	1	1- -9
1.000	.900	9	20	1	1- -8
.900	.800	8	18	1	1- -7
.800	.700	7	16	1	1- -6
.700	.600	6	14	1	1- -5
.600	.500	5	12	1	1- -4
.500	.400	4	10	1	1- -3
.400	.300	3	8	1	1- -2
.300	.200	2	6	1	1-102393-1

C	B	A	NO OF POS	ASSEMBLY PART NUMBER
---	---	---	-----------	----------------------

C	B	A	NO OF POS	ASSEMBLY PART NUMBER
---	---	---	-----------	----------------------

UNLESS OTHERWISE SPECIFIED DIMENSIONS ARE IN INCHES. TOLERANCES ON : DECIMALS ± .005 ANGLES ±	CONTRACT NO		AMP INCORPORATED Harrisburg, Pa.	
	DR 7-1-85 L.D. RINGLEY			
MATERIAL : HOUSING: FLAME RETARDANT THERMOPLASTIC, COLOR-BLACK CONTACTS: PHOS BRONZE	CHK 7-1-85 P.C. deJONG		NAME ASSEMBLY, MASS TERMINATION, AMPMODU, DOUBLE ROW, .100 X .100 CL, #26-#30 AWG WIRE SIZE	
	APPD 7-1-85 P.C. deJONG			
FINISH: CONTACTS: SEE TABLE	APPD 7-1-85 D.T. CASEY		SIZE	FSCM NO
	DSGN APPD		C	00779
OTHER APPD		DRAWING NO		SHEET 1 of 1
		C= 102393		
		SCALE	4:1	